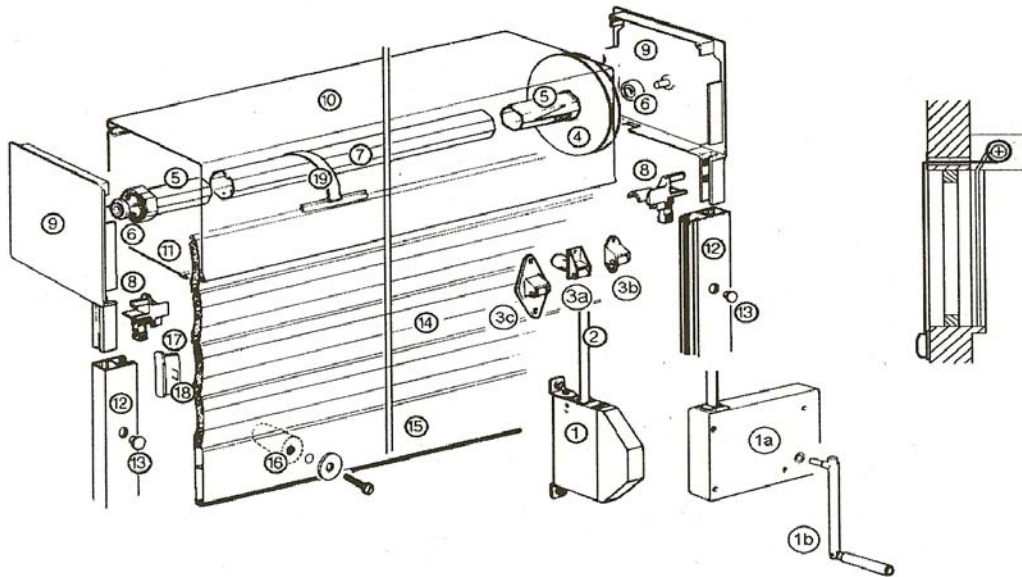


Rollshutters

TAPE DRIVE SYSTEM



- | | | |
|-------------------------------------|------------------------------------|----------------------------|
| 1. MINI RECOIL BOX | 4. MINI PULLEY FOR TELESCOPIC CAP | 11. HOUSING (FRONT/BOTTOM) |
| 1a. MINI TAPE CRANK-BOX | 5. TELESCOPIC CAP FOR BALL BEARING | 12. SIDE-RAIL |
| 1b. CRANK-HANDLE | 6. BALL-BEARING | 13. PLUG-BUTTON |
| 2. TAPE | 7. OCTAGONAL AXLE | 14. SLATS |
| 3a. PUSH-IN TAPE GUIDE | 8. ENTRY GUIDE | 15. BASE-SLAT |
| 3b. MINI TAPE GUIDE WITH BRUSH | 9. END-CAP (SIDE-CAP) | 16. PLASTIC STOP |
| 3c. "DIAMOND" TAPE GUIDE WITH BRUSH | 10. HOUSING (TOP/BACK) | 17. SIDE-LOCK |
| | | 18. STAPLE |
| | | 19. SPRING-LOCK HANGER |

AGR - RS 2